

ROYAL UNIVERSITY OF DHAKA

Program: B.Sc. (HON'S) in CSE/CSIT

Course Code & Title: EEE 102-Electrical Engineering Lab

Course Teacher: Kanti Bhusan Roy Kawshik (01924008069, kanti.kawshik@royal.edu.bd)

Assignment

Assignment Topic:

Draw an ideal circuit consists three register and one voltage source and prove KVL (for series) and KCL (For parallel).

Submission deadline: 03 March, 2021.

ROYAL UNIVERSITY OF DHAKA

Program: B.Sc. (HON'S) in CSE/CSIT

Course Code & Title: EEE 104 & Electronics Engineering Lab

Course Teacher: Kanti Bhusan Roy Kawshik (01924008069, kanti.kawshik@royal.edu.bd)

Assignment

Assignment Topic:

Draw and find out output signal of all logical gates using microwind software.

Software download link: <https://dsch-microwind-version-2.software.informer.com/download/>

Submission deadline: 03 March, 2021.

ROYAL UNIVERSITY OF DHAKA

Program: B.Sc. (HON'S) in CSE/CSIT

Course Code & Title: CSE 132: Digital Electronics Lab

Course Teacher: Kanti Bhusan Roy Kawshik (01924008069, kanti.kawshik@royal.edu.bd)

Assignment

Assignment Topic:

Write a paper (3-4 pages) on OLED display (Function, Structure, Pin diagram).

Submission deadline: 03 March, 2021.

ROYAL UNIVERSITY OF DHAKA

Program: B.Sc. (HON'S) in CSE/CSIT(Day+Evening)

Course Code & Title: CSE 134 & Data Structure and Algorithm Lab

Course Teacher: Subhra Prosun Paul (016756932517, subhra.paul@royal.edu.bd)

Assignment

Assignment Topic:

Write a program to create an array of n elements and calculate the sum and average of those elements. Show the output of that program.

Submission deadline: 03 March, 2021.

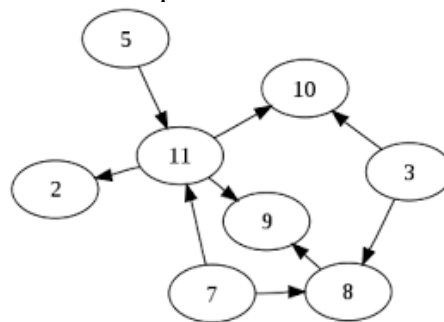
ROYAL UNIVERSITY OF DHAKA
 Program: B.Sc. (HON'S) in CSE/CSIT
Course Code & Title: CSE 232: Computer Algorithm Lab (Day)
Course Teacher: Rowjatul Zannat Eshita
 (Contact No: 01675742407, Mail: rowjatul.eshita@royal.edu.bd)
Assignment Submission deadline: 03 March, 2021

Assignment Topic:

- a) Sort the given list using Merge sort algorithm and write down Merge sort algorithm as well as programming code which will take given list as input and Merge sort it.

4	8	3	6	1	7	5	2
---	---	---	---	---	---	---	---

- b) Represent the following Directed Graph:



- c) Write an algorithm as well as programming code about BFS and DFS.

ROYAL UNIVERSITY OF DHAKA
 Program: B.Sc. (HON'S) in CSE/CSIT
Course Code & Title: CSE 316: Artificial Intelligence Lab (Eve)
Course Teacher: Hasan Abdullah (01681523656, hasan.abdullah@royal.edu.bd)

Assignment

Assignment Topic:

Describe iris dataset analysis step by step using Python (Jupyter). Show dataset classification using Weka. Explain Artificial Intelligence in E-commerce, education, and Agriculture.

Submission deadline: 03 March, 2021.

ROYAL UNIVERSITY OF DHAKA

Program: B.Sc. (HON'S) in CSE/CSIT

Course Code & Title: CSE 234: Operating System Lab (Evening)**Course Teacher: Hasan Abdullah (01681523656, hasan.abdullah@royal.edu.bd)****Assignment**

What is First-Come-First-Served (FCFS) Scheduling? Find average waiting time and average turnaround time using shortest-job-first (SJF) CPU scheduling algorithm (use table 01). Find average waiting time and average turnaround time using Round Robin CPU scheduling algorithm with time quantum=3 (Use table 01).

Table 01

Process no	Arrival time	Burst Time
P1	0	5
P2	1	4
P3	2	2
P4	4	1

Submission deadline: 03 March, 2021.

ROYAL UNIVERSITY OF DHAKA**Program: B.Sc. (HON'S) in CSE/CSIT****Course Code: 330, Course Name: Compiler Design Lab (Evening)****Course Teacher: Md Khirul Islam Badal (01748864767, Khirul.badal@royal.edu.bd)****Assignment****Assignment Topic:**

Suppose a string is “ int 1a = 3ab + 4 -/ 5 + a;” . Write a c program to detect the valid token and invalid tokens from the following string.

ROYAL UNIVERSITY OF DHAKA**Program: B.Sc. (HON'S) in CSE/CSIT****Course Code: 312, Course Name: Database Management System Lab (Evening)****Course Teacher: Md Khirul Islam Badal (01748864767, Khirul.badal@royal.edu.bd)****Assignment for MID**

Name	Account Number	Branch	Balance	Bank Name
Rony	147015	Dhaka	10,000,00	DBBL
Anik	350147	Khulna	50,000	City Bank
Bashar	456123	Dhaka	56,000	DBBL
Bishal	456802	Comilla	78,000	Sonali Bank
Akbar	123478	Sylhet	20,000	City Bank

Write SQL statement for following questions:

1. Creating a table student with following information:Name of table: **student**, columns and data types: rollno number(6), name varchar(20), branch varchar(20);
2. Inserting data into the student table
3. Altering table by adding new column class varchar(20)
4. Deleting a row from the table
5. Drop column branch
6. Alter table by changing the data type of rollno to number(8).

ROYAL UNIVERSITY OF DHAKA
Program: B.Sc. (HON'S) in CSE/CSIT
Course Code: 214, Course Name: OOP Lab (Evening)
Course Teacher: Md Khirul Islam Badal (01748864767, Khirul.badal@royal.edu.bd)
Assignment for MID

Solve the following problem

Read an integer value corresponding to a person's age (in days) and print it in years, months and days, followed by its respective message "ano(s)", "mes(es)", "dia(s)".

Note: only to facilitate the calculation, consider the whole year with 365 days and 30 days every month. In the cases of test there will never be a situation that allows 12 months and some days, like 360, 363 or 364. This is just an exercise for the purpose of testing simple mathematical reasoning.

Input

The input file contains 1 integer value.

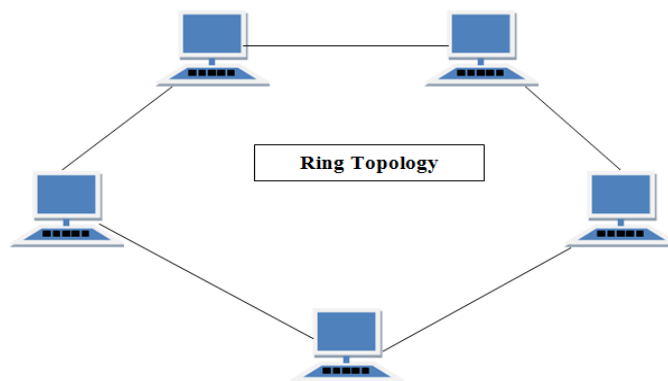
Output

Print the output, like the following example.

Input Sample	Output Sample
400	1 ano (s) 1 mes (es) 5 dia (s)
800	2 ano (s) 2 mes (es) 10 dia (s)
30	0 ano (s) 1 mes (es) 0 dia (s)

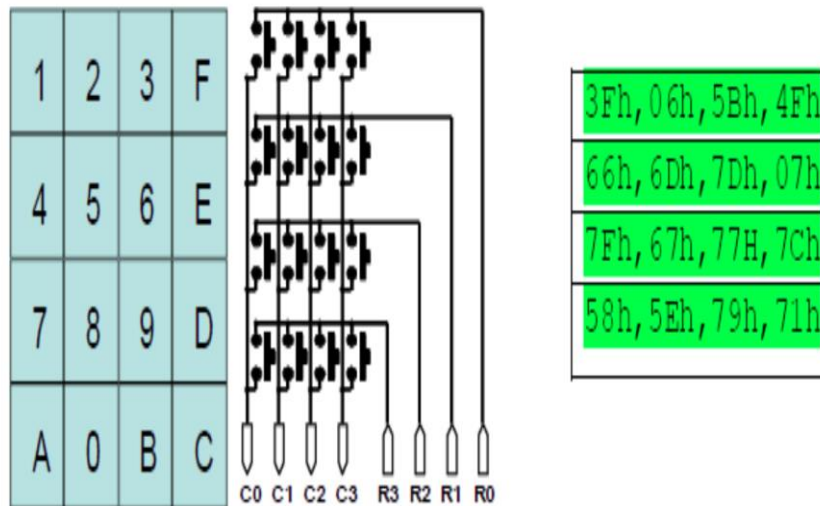
ROYAL UNIVERSITY OF DHAKA
Program: B.Sc. (HON'S) in CSE/CSIT
Course Code: 314, Course Name: Computer Network Lab (Evening)
Course Teacher: Md Khirul Islam Badal (01748864767, Khirul.badal@royal.edu.bd)
Assignment for MID

Draw the Ring Topology Cisco Packet Tracker, write down the description and add the screenshot of configuration.



ROYAL UNIVERSITY OF DHAKA
Program: B.Sc. (HON'S) in CSE/CSIT
Course Code: 322, Course Name: Computer Peripheral & Interfacing Lab
Course Teacher: Md Khirul Islam Badal (01748864767, Khirul.badal@royal.edu.bd)
Assignment for MID

Design a keyboard layout using 8255A Peripheral Interface Adapter and draw the flow of the program.



ROYAL UNIVERSITY OF DHAKA
Program: B.Sc. (HON'S) in CSE/CSIT
Course Code & Title: CSIT 332 & Advance Computer Network Lab (Eve)
Course Teacher: Md. Nur-E-Arefin (01675025549, nur.arefin@royal.edu.bd)

Assignment

Assignment Topic:

Configure DHCP and VLAN in Cisco Packet Tracer software. Write down the point-to-point description and give proper screenshots of your configuration.

Submission deadline: 03 March, 2021.